

## SolarInvert Energy Solutions

# Dominica Island Project Energy Storage



## Dominica Island Project Energy Storage

---



### Construction starts on 99MWh battery unit in ...

Construction has started on the first major solar-plus-storage project in the Dominican Republic, which features a 24.8MW/99MWh battery energy ...

[Get Price](#)

### DOMLEC Begins Final Commissioning of Battery Energy Storage ...

The BESS, with a combined capacity of 6MW/6MWh, will greatly enhance DOMLEC's ability to manage the electricity grid more efficiently, provide spinning reserve, and ...



[Get Price](#)



### IRC Evaluates Dominica's Electricity Generation Projects for 2025

10-Megawatt Geothermal Power Plant Project at Laudat: This project is designed to bolster Dominica's energy security, reduce electricity production costs, and significantly ...

[Get Price](#)

## Dominica geothermal and hydrogen

## projects advance

Dominica's geothermal project is set to deliver power to the island as well as to form the foundation for a large-scale green hydrogen complex. Geothermal energy ...

[Get Price](#)



## How Dominica has breathed new life into its geothermal project

Dominica's long-standing efforts to develop its geothermal resource have been well documented. Nearly a decade ago an exploratory drilling program confirmed the existence of a ...

[Get Price](#)

## IRC Evaluates Dominica's Electricity Generation ...

10-Megawatt Geothermal Power Plant Project at Laudat: This project is designed to bolster Dominica's energy security, reduce electricity ...

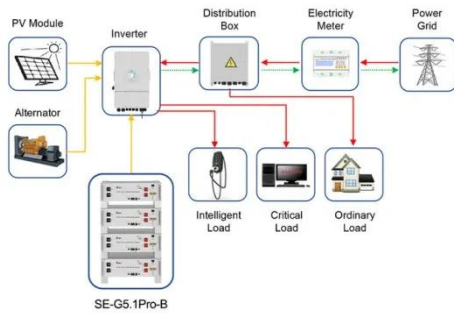
[Get Price](#)



## Elaboration of the Operating Strategy of an on-grid ...

Dominica is an island in the Caribbean archipelago with a population of 74,000. It's energy production is today largely dependent on ...

[Get Price](#)



Application scenarios of energy storage battery products

## Dominica Announces Solar and Battery Storage ...

Solar and battery storage systems provide energy access on and off the grid to ensure reliable electricity flows even during critical disruptions. ...

[Get Price](#)



## CDB secures financing for Dominica's 10 MW geothermal project

1 day ago · The Caribbean Development Bank (CDB) has reached financial close on a facility for Dominica's 10 MW geothermal project, led by the Geothermal Power Company of Dominica, a ...

[Get Price](#)

## ETI Energy Snapshot

This document was developed by the National Renewable Energy Laboratory with support provided by the Caribbean

Center for Renewable Energy and Energy Efficiency. The ...

[Get Price](#)



### renewable energy storage dominica

Could the answer to 100% renewable energy in Dominica be ... The Government of Dominica is confident that geothermal energy from the plant could be powering the island within the next ...

[Get Price](#)

### Microgrid pv system Dominica

Dominica Schools Microgrid Project Wins 2023 CREF The Dominica Schools Microgrid Project serves as a proof point for how solar and storage systems can preserve community vibrancy ...



[Get Price](#)

### The World Bank supports clean energy generation in Dominica

This project is designed to support the Commonwealth of Dominica in developing and integrating clean, sustainable and low-cost energy.

Through this \$38.5 million project, a new robust ...

[Get Price](#)



### **Dominica builds energy storage system**

Construction has started on the first major solar-plus-storage project in the Dominican Republic, which features a 24.8MW/99MWh battery energy storage system (BESS). ...

[Get Price](#)



### **Energy Storage System For Dominica « The Anonymous Widower**

A \$50 million hurricane-resistant battery energy storage system is coming to the Caribbean island of Dominica through an investment by the UAE-Caribbean Renewable ...

[Get Price](#)

### **DOMLEC's new Battery Energy Storage System undergoes ...**

Dominica Electricity Services Ltd. (DOMLEC) is set to perform essential assessments on a newly deployed

## Battery Energy Storage System (BESS) at the Fond Colé ...

[Get Price](#)



## Dominica is moving closer to achieving its renewable energy

3 days ago · Dominica is moving closer to achieving its renewable energy goal by the year 2030. The Dominica Geothermal Development Company says major progress has been made on ...

[Get Price](#)

## Dominica's Energy Transformation: How BESS is Changing the ...

The new BESS project is designed to significantly reduce reliance on diesel generation, enhances electricity quality, and strengthens infrastructure resilience in key ...

[Get Price](#)



## Dominican Republic Targeting 25% Renewable Energy By 2025

"The integration of energy storage is crucial to maximise the use of renewable sources, reduce costs for consumers and ensure the stability of the electrical

system," stated Santos. The ...

[Get Price](#)

Modular design,  
unlimited combinations in parallel  
**BUILT-IN DUAL FIRE PROTECTION MODULE**



### **Dominica s new energy storage project electrochemical ...**

The cumulative installed capacity of new energy storage projects is 21.1GW/44.6GWh, and the power and energy scale have increased by more than 225% year-on-year.



[Get Price](#)



### **Dominica battery energy storage project**

A 5-megawatt/2.5 megawatt-hours battery energy storage system is slated to provide the Commonwealth of Dominica the necessary reserve power from existing sources of renewable ...

[Get Price](#)

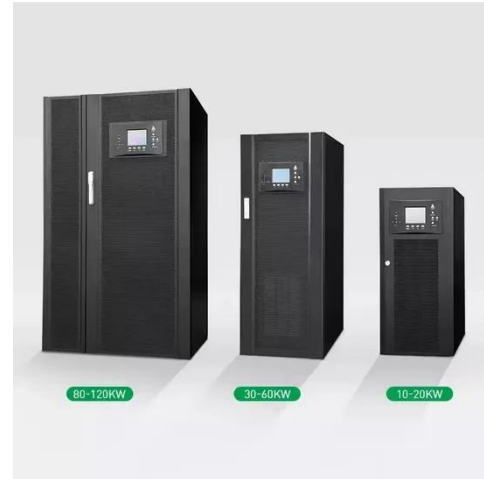
### **Dominica Modern Energy Storage Power Station Project**

What is the Dominican energy project?  
This project is designed to support the Commonwealth of Dominica in developing and integrating clean,



sustainable and low-cost energy.  
Through this ...

[Get Price](#)



### **Dominica and UAE-Caribbean Renewable Energy Fund to Sign ...**

The \$50 million development in Dominica will support a 5-megawatt/2.5 megawatt-hours battery energy storage system that will aid the island's clean energy objectives.

[Get Price](#)

### **Dominica Announces Solar and Battery Storage Solutions for ...**

Solar and battery storage systems provide energy access on and off the grid to ensure reliable electricity flows even during critical disruptions. The Island of Dominica came ...

[Get Price](#)



### **Elaboration of the Operating Strategy of an on-grid Battery Energy**

Dominica is an island in the Caribbean archipelago with a population of 74,000. It's energy production is today largely

dependent on fossil fuels. The Government of Dominica has ...

[Get Price](#)



---

## Dominica's Energy Market: A Look at the Island's Energy

This initiative not only reduces the country's energy consumption but also contributes to improved safety and security in communities across the island. Dominica's efforts to ...

[Get Price](#)



---

## Contact Us

For catalog requests, pricing, or partnerships, please visit:  
<https://www.barkingbubbles.co.za>