

## SolarInvert Energy Solutions

# Solar tower storage



## Overview

---

Storing the heat energy for later recovery allows power to be generated continuously, while the sun is shining, and for several hours after the sun has set (or been clouded over). Cost In 2021, the US (NREL) estimated the cost of electricity from concentrated solar with 10 hours of storage at \$0.076 per kWh in 2021, \$0.056 per kWh in 2030, and \$0.052 per kWh in 205.

A solar power tower, also known as 'central tower' power plant or " power plant, is a type of using a tower to receive focused sunlight. It uses an array of flat, movable mirrors (called heliostats) to focus the s.

## Solar tower storage

---



### Modeling and dynamic simulation of thermal energy storage ...

The TES system of typical molten salt solar tower power plants belong to this direct system. For the indirect system, the storage medium and HTF are different, such as the ...

[Get Price](#)

---

### Performance modeling and techno-economic analysis of a ...

In this paper, we present performance simulations and techno-economic analysis of a modular dispatchable solar power tower. Using a heliostat field and power block three orders ...

[Get Price](#)



### Technoeconomic Cost Analysis of NREL Concentrating Solar ...

Abstract. The National Renewable Energy Laboratory is leading the liquid (molten salt) power tower pathway for the U.S. Department of Energy's concentrating solar power Gen3 initiative. ...

[Get Price](#)

---

## New Concentrating Solar Tower Is

## Worth Its Salt with ...

"We've got a bit of a ways to go," Smith says. "But molten salt-powered technology has the most promise for energy generation and ...

[Get Price](#)



IP65/IP55 OUTDOOR CABINET

ALUMINUM

OUTDOOR ENERGY STORAGE CABINET

OUTDOOR MODULE CABINET

## Solar Towers Jülich

With DLR's solar thermal tower power plant in Jülich, solar researchers are testing and developing components and systems for commercial power plants.

[Get Price](#)

## Transient performance modelling of solar tower power plants with ...

This research introduces an innovative transient modelling tailored for the comprehensive annual performance analysis of a solar tower power plant coupled to a two-tank TES system, ...

[Get Price](#)



## High-temperature Thermal Storage System for Solar Tower ...

This paper describes the modeling of a high-temperature storage system for an existing solar tower power plant with open volumetric receiver technolog...

[Get Price](#)

---

## Gemasolar Thermosolar Plant

The plant is of the solar power tower type CSP and uses concepts pioneered in the Solar One and Solar Two demonstration projects, using molten salt as its heat transfer fluid and energy

...

[Get Price](#)

## An Overview of Heliostats and Concentrating Solar Power ...

Concentrating solar power (CSP) is naturally incorporated with thermal energy storage, providing readily dispatchable electricity and the potential to contribute significantly to grid penetration of ...

[Get Price](#)

---

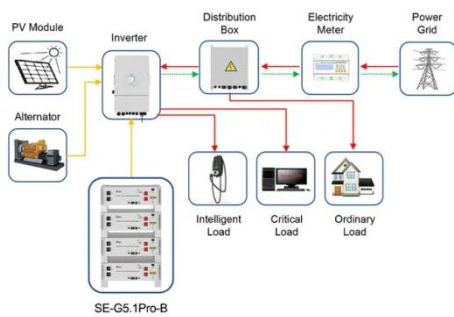
## Tower-Type Solar Thermal Energy Storage Design: The Future of ...

If you're imagining a sci-fi scene with a giant solar tower surrounded by mirrors, you're not far off. Tower-type solar

thermal energy storage design is revolutionizing how we harness the sun's

...

[Get Price](#)



Application scenarios of energy storage battery products

### How solar thermal energy storage works with concentrated solar

Energy storage is a key to a renewable energy-powered world. As the thermal, dispatchable form of solar, concentrated solar power (CSP) is ideally suited to storing solar ...

[Get Price](#)

### How solar thermal energy storage works with ...

Energy storage is a key to a renewable energy-powered world. As the thermal, dispatchable form of solar, concentrated solar power (CSP) is ...

[Get Price](#)



### CONCENTRATING SOLAR POWER PLANTS WITH ...

Similarly, in Solar Tower (ST) based CSP, the total installed cost is majorly due to Heliostat field, followed by the cost of balance of plant & engineering, etc.,



power block, receiver / ...

[Get Price](#)

## Solar power tower

Storing the heat energy for later recovery allows power to be generated continuously, while the sun is shining, and for several hours after the sun has set (or been clouded over).

[Get Price](#)



## What is a Solar Power Tower and How Do They ...

Solar power towers convert sunshine into clean electricity. The technology uses many large, sun-tracking mirrors commonly referred to as ...

[Get Price](#)



## New Concentrating Solar Tower Is Worth Its Salt with 24/7 Power

"We've got a bit of a ways to go," Smith says. "But molten salt-powered technology has the most promise for energy generation and storage from

solar power."

[Get Price](#)



Support Customized Product



**Solar Integration: Solar Energy and Storage Basics**

Short-term storage that lasts just a few minutes will ensure a solar plant operates smoothly during output fluctuations due to passing clouds, while longer-term storage can help provide supply ...

[Get Price](#)

**Techno-economic performance of the solar tower power plants ...**

A typical solar tower thermal power generation system consists of three main components: a solar field that collects and concentrates sunlight, a thermal energy storage ...

[Get Price](#)



**How it works: Solar power towers with integrated storage**

Solar towers with storage are poised to change the way we think about renewables. But how do they work?

Here's an explanation.

[Get Price](#)



## Perspective on Dual-Tower Concentrated Solar Power Plants

This study analyzes dual-tower concentrated solar power (CSP) plants, highlighting their improved efficiency, reduced spillage losses, and enhanced thermal ...

[Get Price](#)



## How CSP Works: Tower, Trough, Fresnel or Dish

In solar thermal energy, all concentrating solar power (CSP) technologies use solar thermal energy from sunlight to make power. A solar field of mirrors concentrates the sun's energy ...

[Get Price](#)

## SolarReserve abandons huge solar tower and storage ...

Plans for the world's biggest solar tower and molten salt storage plant near Port Augusta fall through after US company

failed to secure funding.

[Get Price](#)



### **Solar Power Tower: Use Molten Salt as an Energy Storage System**

Solar towers are non-polluting, emission-free solar power plants that can run continuously for extended periods as long as they have a way to store the free heat energy ...

[Get Price](#)

### **Solar Power Tower: Use Molten Salt as an Energy ...**

Solar towers are non-polluting, emission-free solar power plants that can run continuously for extended periods as long as they have a way to ...

[Get Price](#)



### **Solar Tower System**

Solar tower systems are an emerging renewable energy technology, offering cost-effective storage for daily load cycles. This enables full decoupling of collection of solar energy and ...

[Get Price](#)

## Solar Integration: Solar Energy and Storage Basics

Concentrating solar power (CSP) is naturally incorporated with thermal energy storage, providing readily dispatchable electricity and the potential to contribute significantly to grid penetration of ...

18650<sup>3.7V</sup>  
Li-ion  
RECHARGEABLE BATTERY  
**2000mAh**

[Get Price](#)

## Solucar Complex

The PS10 Solar Power Plant (Spanish: Planta Solar 10) is the world's first commercial concentrating solar power tower operating near Seville, in ...

[Get Price](#)

## Contact Us

For catalog requests, pricing, or partnerships, please visit:  
<https://www.barkingbubbles.co.za>