

SolarInvert Energy Solutions

Wind and Solar Micro-Storage



Overview

A Wind-Solar-Energy Storage system integrates electricity generation from wind turbines and solar panels with energy storage technologies, such as batteries. This combination addresses the variable nature of renewable energy sources, ensuring a consistent and reliable energy supply.

Wind and Solar Micro-Storage



Research on the Hybrid Wind-Solar-Energy Storage ...

The proposed control strategies enhanced the steady-state and transient stability of the hybrid wind-solar-energy storage AC/DC microgrid, ...

[Get Price](#)

Wind Solar Power Energy Storage Systems, Solar and Wind ...

A Wind-Solar-Energy Storage system integrates electricity generation from wind turbines and solar panels with energy storage technologies, such as batteries. This ...

[Get Price](#)



Wind + Energy Storage Techno-Economic Assessment , EPRI Micro

...

A techno-economic assessment of various energy storage technologies paired with wind is intended to inform the optimization of solar + storage plant designs, support resource planning, ...

[Get Price](#)



Wind Turbine Storage Systems

Explore cutting-edge energy storage solutions for wind turbines, improving reliability and efficiency of renewable energy systems even during low wind periods.

[Get Price](#)



Storage of wind power energy: main facts and feasibility - ...

A review of the available storage methods for renewable energy and specifically for possible storage for wind energy is accomplished. Factors that are needed to be considered ...

[Get Price](#)

Analysis of optimal configuration of energy storage in wind-solar micro

Power systems based on wind-solar microgrids have broad adaptability and flexible construction. However, it is crucial to optimize energy storage configuration and enhance ...

[Get Price](#)



Energy Management Systems for Microgrids with Wind, PV and Battery Storage

Integration of small-scale renewable energy sources and storage systems into microgrids represent a pivotal

advancement in sustainable energy management. Harnessing ...

[Get Price](#)



Control of Solar and Wind Battery Storage Based Micro Grid ...

This handbook offers insights into leveraging simulation tools and methodologies for the design, optimization, and deployment of control mechanisms within solar photovoltaic storage-based ...

[Get Price](#)



Optimization of Capacity Configuration of Wind-Solar-Diesel-Storage

The reasonable configuration of the distributed power capacity and energy storage device capacity in the wind-solar-diesel-storage micro-grid system is a prerequisite for the ...

[Get Price](#)

Value of storage technologies for wind and solar energy

We first present the results of optimizing the discharge behaviour of a solar or

wind plant combined with storage, for a fixed storage size, to maximize the revenue of the plant.

[Get Price](#)



Wind and Solar Energy Storage , Battery Council ...

The need to harness that energy - primarily wind and solar - has never been greater. Batteries can provide highly sustainable wind and solar ...

[Get Price](#)

Hybrid Wind and Solar Photovoltaic Generation with ...

The operation of electrical systems is becoming more difficult due to the intermittent and seasonal characteristics of wind and solar energy. Such ...

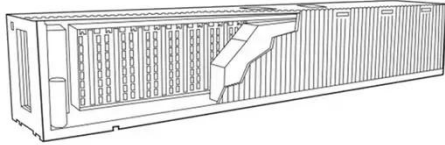
[Get Price](#)



STORAGE FOR POWER SYSTEMS

The fact that "the wind doesn't always blow, and the sun doesn't always shine" is often used to suggest the need for dedicated energy storage to handle fluctuations in wind and solar ...

[Get Price](#)



Harnessing the Future: Wind-Solar-Energy-Storage Microgrid ...

Fossil fuels are so last century, and everyone's buzzing about wind-solar-energy-storage microgrid systems. But what exactly makes these hybrid power setups the rockstars of ...



[Get Price](#)



Integrating solar and wind energy into the electricity grid for

A rise in the need for the integration of renewable energy sources, such as wind and solar power, has been attributed to the search for sustainable energy solutions. To strengthen ...

[Get Price](#)

Zinc-Iodide Battery Tech Disrupts \$293B Energy Storage Market

3 days ago · Safeway's rooftop solar panels and on-site energy storage bring clean, reliable power closer to demand. It uses The Sun Company's renewable-

energy microgrids and ...

[Get Price](#)



Modeling and control of a photovoltaic-wind hybrid microgrid

...

The main challenge associated with wind and solar Photovoltaic (PV) power as sources of clean energy is their intermittency leading to a variable and unpredictable output [1, ...

[Get Price](#)

Research on Optimal Configuration of Energy Storage in Wind-Solar

Capacity allocation and energy management strategies for energy storage are critical to the safety and economical operation of microgrids. In this paper, an improved energy ...



[Get Price](#)

Solar energy and wind power supply supported by storage technology: A

This study proposed small-scale and large-scale solar energy, wind power and

energy storage system. Energy storage is a combination of battery storage and V2G battery ...

[Get Price](#)



Solar energy and wind power supply supported by storage ...

This study proposed small-scale and large-scale solar energy, wind power and energy storage system. Energy storage is a combination of battery storage and V2G battery ...

[Get Price](#)

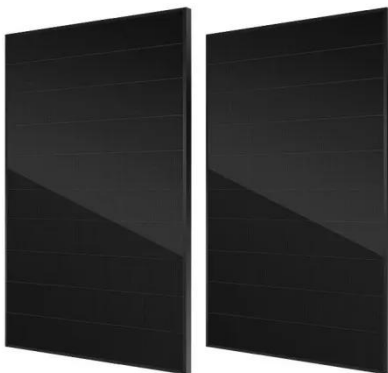
ESS



9 Ways to Use Wind Energy in Small Living Spaces: Power Your ...

Discover innovative ways to harness wind energy in apartments and tiny homes with compact turbines, smart storage solutions, and practical installation tips for sustainable ...

[Get Price](#)



Smart Micro-grid System with Wind/PV/Battery

A 6kW smart micro-grid system with wind /PV/battery has been designed, the control strategy of combining master-slave control and hierarchical control has

been adopted. An ...

[Get Price](#)



Analysis of optimal configuration of energy storage in wind-solar ...

Power systems based on wind-solar microgrids have broad adaptability and flexible construction. However, it is crucial to optimize energy storage configuration and enhance ...

[Get Price](#)

Optimization of Wind, Solar and Battery Micro-grid Capacity ...

A. Optimization algorithm The study of capacity allocation of wind, solar and battery micro-grid should consider the input capacity of wind turbine, photovoltaic panels and energy storage, ...

[Get Price](#)



Energy Management Systems for Microgrids with Wind, PV and ...

Integration of small-scale renewable energy sources and storage systems into microgrids represent a pivotal

advancement in sustainable energy management. Harnessing ...

[Get Price](#)



Hybrid Photovoltaic-Wind Microgrid With Battery ...

These autonomous energy systems integrate solar, wind, and back-up diesel generation along with battery storage and energy management ...

[Get Price](#)



Wind and Solar Energy Storage , Battery Council International

The need to harness that energy - primarily wind and solar - has never been greater. Batteries can provide highly sustainable wind and solar energy storage for ...

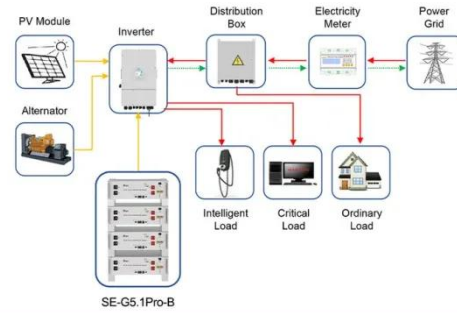
[Get Price](#)

A hybrid hydro-wind-solar system with pumped ...

A typical conceptual pumped hydro storage system with wind and solar power options for transferring water from lower to upper reservoir is

represented in ...

[Get Price](#)



Application scenarios of energy storage battery products

Contact Us

For catalog requests, pricing, or partnerships, please visit:
<https://www.barkingbubbles.co.za>